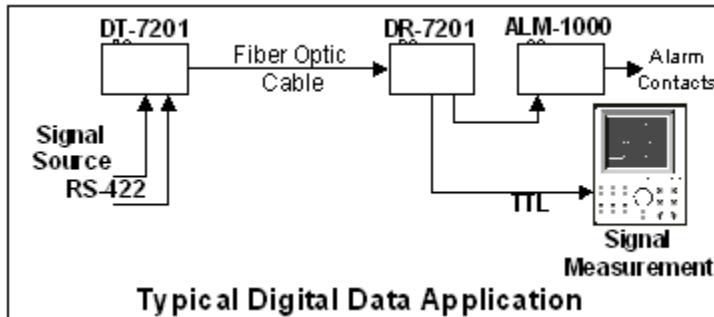


LuxLink[®]

Fiber Optic Communications
Systems

DX/DT/DR-7201 TTL/RS-422 Data Transmission

For Point-to-Point Medium Speed Data Applications



The Litelink™ system consists of two DX-7201 transceivers or the DT-7201 transmitter and DR-7201 receiver. All units utilize pure digital on-off modulation to transmit high-speed data signals in accordance with standard RS-422 or TTL specifications. No conversion, sampling or other data manipulation is employed. For higher data rates model see the [DT/R-7301](#)

The DX/DT/DR-7201 is easily user-configured for either of the above protocols by setting an internal DIP switch. Operation otherwise is totally adjustment free. The system may also be used for protocol conversion if desired. Integral indicators are provided on both units to continuously indicate the presence of data signals as well as operating power thereby making system troubleshooting simple.

Specifications

Data Rate	DC to 50 Mb/s
Protocols Supported	TTL (50 ohm/Hi-Z), RS-422
Signal Connector	BNC, Terminal Block
Rise / Fall Time	12 nanoseconds minimum
Optical Output Power	-15 dBm typical
Optical Loss Budget	0-10 dB
Power Requirements	11-24 VAC/DC @150mA
Operating Temperature	-35 to +75 degrees C

Important Features

- **DC to 50 Mb/s Data Rate**
- **TTL, RS-422 Selectable**
- **Works with Burst Data**
- **No Adjustments**
- **Signal & Power Indicators**
- **Single model for stand alone or [rack mount](#)**
- **[Din Rail](#) mount option**

Operating Humidity 0 to 95% non-condensing
Physical Size 5.0" x 3.0 x 1.0"
127mm x 76mm x 25.4mm

*Note all specifications are subject to change without notice

[Copyright 2015](#)

LuxLink

Voice: 1-516-931-2800

Email: sales2@Luxlink.com