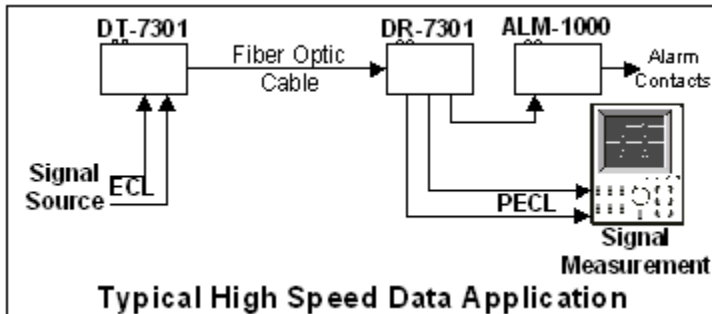


LuxLink[®]

Fiber Optic Communications
Systems

DT/DR-7301 High Speed Data Transmission

For Point-to-Point High Speed Data Applications up to 200 Mb/sec



The *LuxLink*[®] DT/DR-7301 system consists of the DT-7301 transmitter and DR-7301 receiver. This system is designed to transmit and receive TTL, ECL, or PECL signals in a wide range of diverse applications. The unit can easily be user configured for single-end or differential mode operation. The DT/DR-7301 will operate continuously at all data rates from 1 Mb to 200 Mb/sec (50Mb TTL). An additional benefit of this system is that it can perform protocol conversion. For lower data rates models see the [DX-7001](#) and [DX-7201](#)

Both multimode and single-mode versions are available and installation is totally adjustment free. In addition, integral indicators are provided to continuously indicate the presence of data signals as well as the presence of operating power making system troubleshooting simple. View signal interface details [application note](#).

Specifications

Data Transmission Rate	1 Mb to 200 Mb/s (50Mb TTL)
Protocols Supported	TTL (50 ohm/Hi-Z), ECL, PECL, LVTTTL
Duty Cycle*	50/50 to 80/20
Operating Modes	Single-ended or differential
Rise / Fall time (ECL)	0.5ns typical, 2.5ns max
Min pulse width (ECL)	5.0 ns
Jitter	3.0 ns maximum
System delay	35 ns typical w/1 meter fiber

Important Features

- **1 Mb to 200 Mb/s Data Rate**
- **Multi-protocol Conversion**
TTL, ECL, PECL
- **Single-end or Differential**
- **Signal & Power Indicators**
- **Multimode & Single mode Versions available**
- **Single model for stand alone or [rack mount](#)**
- **[Din Rail](#) mount option**

Bit Error Rate	1 x 10 ⁻⁹ (worse case)
Operating Wavelength	1310 or 1550nm
Optical Output Power	-14 dBm (multimode), -10 dBm (single-mode)
Optical Loss Budget	0-15 dB (multimode), 0-18 dB (single-mode)
Signal Connectors	Two BNCs
Operating Temperature	-35 to +75 degrees C
Operating Humidity	0 to 95% non-condensing
Power Requirements	11-24 VAC/DC @210mA
Physical Size	5.0" x 3.0 x 1.0" 127mm x 76mm x 25.4mm

*The DT/DR-7301 is not recommended for single-pulse Applications
Note all specifications are subject to change without notice

[Copyright 2015](#)

LuxLink

Voice: 1-516-931-2800

Email: sales2@Luxlink.com